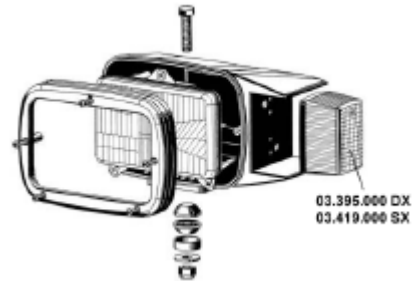


HEADLAMP UNITS WITH FRONT-SIDE TURN LAMP





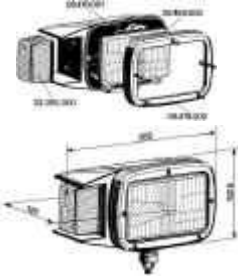
-HOUSING AND BEZEL: ANTICORROSION PLASTIC MATERIAL

-SEALING IP 54






-JOINT: ARTICULATED JOINT TO MAKE THE ORIENTATION EASY



RIGHT GROUPS

P/N	RIGHT HAND UNITS DIMENSIONS	 LHD	 RHD	 T4W 12V-4W 24V-4W	 H4 12V-60/55W 24V-75/70W
05.479.000 RH RHD			X	X	X

LEFT GROUPS

P/N	LEFT HAND UNITS DIMENSIONS	 LHD	 RHD	 T8 12V-4W 24V-4W	 H4 12V-60/55W 24V-75/70W
05.483.000 LH RHD			X	X	X