

CAPPELLIERE LUGGAGE RACKS



PRIMA
INDUSTRIES

171

Tutti i prodotti contenuti in questa sezione rispondono alle seguenti normative:

REGOLAMENTO 107/06

(disposizioni speciali da applicare ai veicoli adibiti al trasporto passeggeri aventi più di otto posti a sedere oltre al sedile del conducente e recante modifica alle direttive 70/156/CEE, 97/27/CE e 2001/85/CE)

REGOLAMENTO 118

(comportamento alla combustione dei materiali impiegati nell'allestimento interno dei veicoli categoria M3)

DIRETTIVA 2000/53/CE (e successivi emendamenti: 2008/33/CE)

(messa al bando dei metalli pesanti piombo, cadmio, mercurio e cromo esavalente)

DIRETTIVA 2002/95/CE - (ROHS)

(messa al bando dei metalli pesanti, del polibrominato bifenile - PBB e del pentabromodifenil etere - PBDE)

DIRETTIVA 1907/2006/CE - (REACH)

DIRETTIVA 2005/20/CE - (e successivi emendamenti)

(bando delle sostanze pericolose dagli imballaggi e dai rifiuti di imballaggio)

REGOLAMENTO R10

(compatibilità elettromagnetica)

GADSL

(conformità alla lista delle sostanze dichiarabili del settore automobilistico)

PAH

(bando degli idrocarburi policiclici aromatici)

CONFLICT MINERALS RULES

(regole nate negli USA per scoraggiare l'uso di minerali preziosi - oro, tantalio, stagno, tungsteno e loro derivati - provenienti da aree in guerra)

**I colori RAL, riferiti ai prodotti contenuti in questo catalogo, sono puramente indicativi.
Per eventuali abbinamenti o particolari necessità cromatiche contattare nostro Ufficio Commerciale**

All the products contained in this section complies with the following norms:

REGULATION 107/06

(Special provisions for vehicles used for the carriage of passengers comprising more than eight seats in addition to the driver's seat and amending Directives 70/156/EEC, 97/27/EC and 2001/85/EC)

REGULATION 118

(burning behaviour of materials used in the interior construction of vehicles category M3)

DIRECTIVE 2000/53/EC (and amendments:2008/33/EC)

(On the restriction of the use of certain heavy metals such as lead, cadmium, mercury and hexavalent chromium in the manufacturing process)

DIRECTIVE 2002/95/EC

(On the restriction of the use of certain heavy metals and brominated flame retardants such as polybrominated biphenils (PBB) and polybrominated diphenyls ethers (PBDE) in new electrical and electronic equipment)

DIRECTIVE 1907/2006/EC - (REACH)

DIRECTIVE 2005/20/EC - (and amendments)

(On the restriction of hazardous substances on packaging and packaging waste)

REGULATION R10

(Electric compatibility -EMC)

GADSL

(Conform to global automotive declarable substances list)

PAH

(Without polycyclic aromatic hydrocarbon)

CONFLICT MINERALS RULES

Rules created to discourage the use of precious minerals (gold, tantalum, tin, tungsten and their derivatives) extracted in a conflict zone

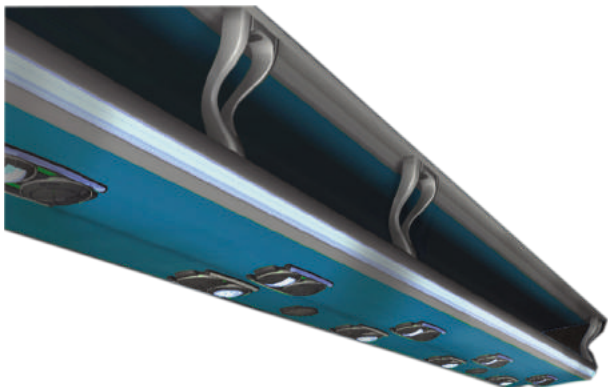
**The RAL colors, referring to the products indicated on our catalogue, are purely indicatives.
For eventual combinations or specific colors please contact our Sales Department**

indice - index

Cappelliere per bus turistici / Luggage racks for coaches

P.1500 EUROPA

pag.16



P.1000 PLANET

pag.18



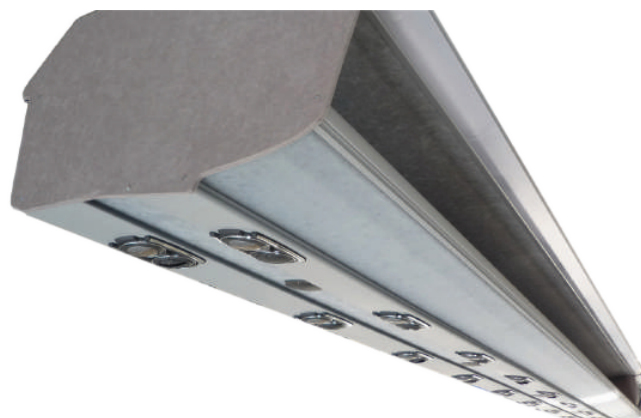
P.1350 VENUS

pag.112



P.1400 EASYRACK

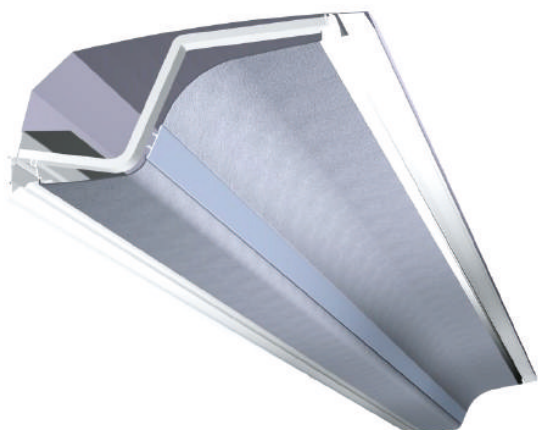
pag.114



Cappelliere per bus urbani-interurbani / Luggage racks for city-intercity buses

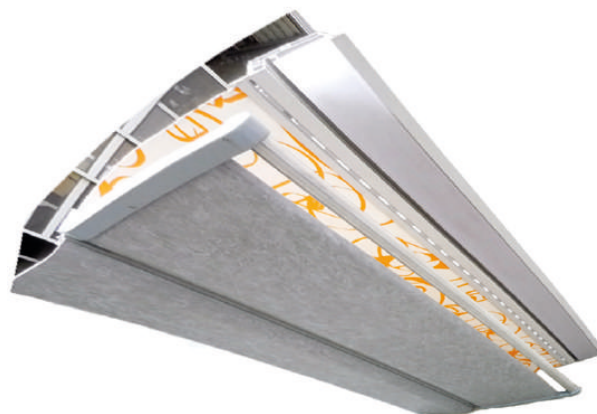
P.1150 MOON

pag.116



P.1150 MOON INTERCITY

pag.117



P.1150 MOON MINI

pag.118



P.1450 BASIC

pag.120



P.1500 EUROPA



Materiale - Material

Struttura in Alluminio, ABS, PA6 e policarbonato; accessori in bayblend + componenti elettrici ed elettronici
 Frame in aluminium, ABS, PA6 and polycarbonate; accessories in bayblend + electric and electronic parts



Colore - Color

Vedi sezione tecnica - See technical section



Lotto minimo - Minimum lot

5 pezzi - pieces



Volume confezione - Package volume

Secondo componenti, vedi pag. L20
 According to components, see pag. L20



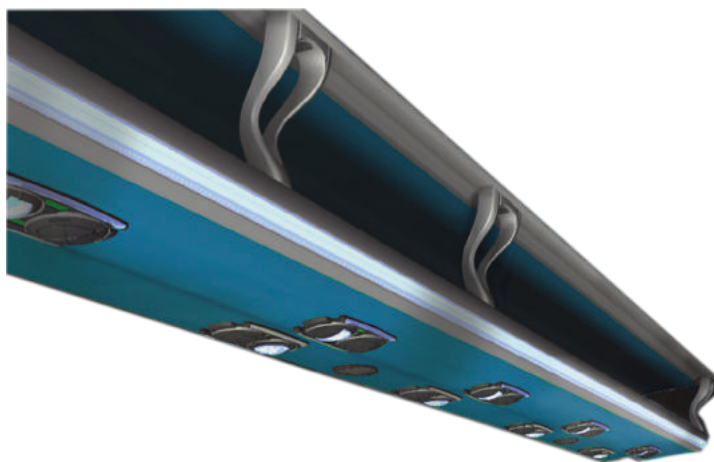
Peso confezione - Package weight

Secondo componenti - According to components



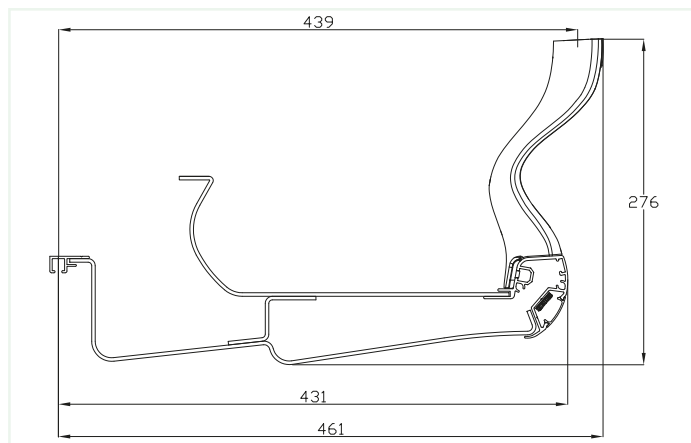
Normative - Norms

pag. L2

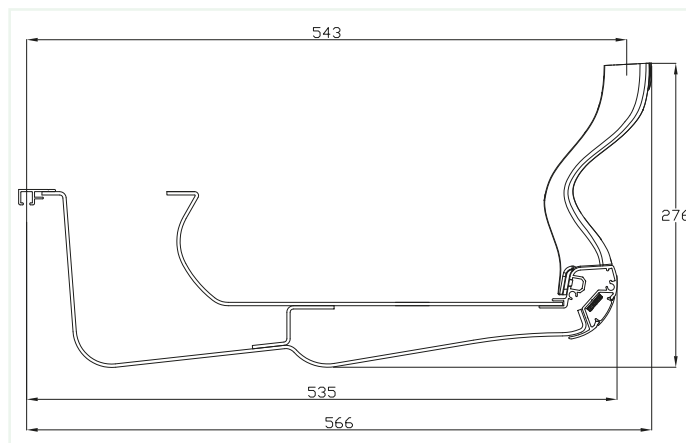


P.1500 EUROPA

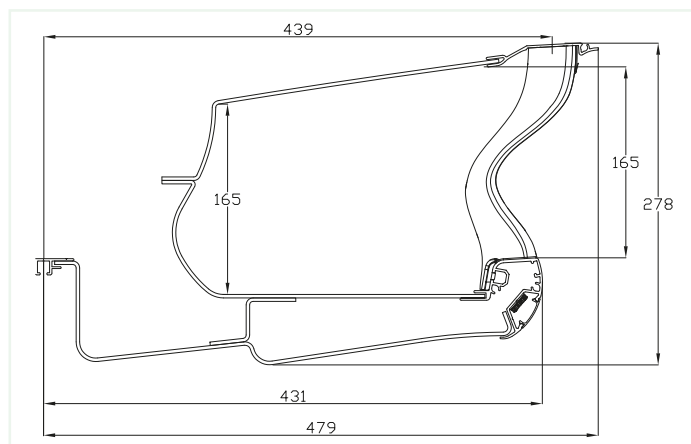
Cod.	Tipo - Type	L (mm)			Striscia/Strip LED					
66472	1 porta ant e/o post front and/or back door	A) 5.180 B) 5.180	A) 6x2 seats B) 7x2 seats	A) 12 x 62152 P412 B) 14 x 62152 P412	14 x 12V 12 x 12V	Sec. B Sec. B	Int/Inner: SKY Est/Outer: PVC light grey	90	•	•
68902	1 porta ant e/o post front and/or back door	A) 5.180 B) 5.180	A) 6x2 seats B) 6x2 seats	A) 12 x 62152 P412 B) 12 x 62152 P412	14 x 12V 12 x 12V	Sec. B Sec. B	Int/Inner: SKY Est/Outer: PVC light grey	90	•	•



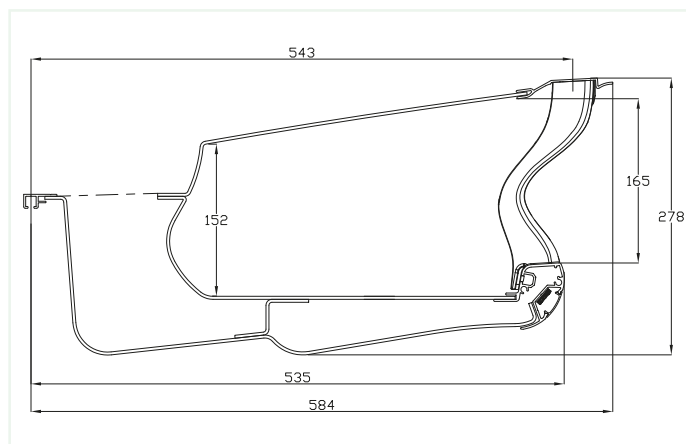
A Sezione per minibus, senza cielo
 Section for minibuses, without ceiling



B Sezione per midibuses, senza cielo
 Section for midibuses, without ceiling



A1 Sezione per minibus, con cielo
 Section for minibuses, with ceiling

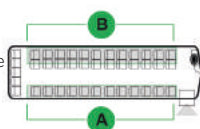


B1 Sezione per midibuses, con cielo
 Section for midibuses, with ceiling

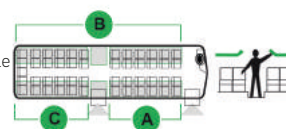
1 porta ant e/o post
front and/or back door



2 porta anteriore
front door



3 porta centrale
middle door



P.1500 EUROPA

Peso - Weight
Sez. A 5,5 Kg/m
Sez. B 7 Kg/m

Resistenza alla trazione - 120 Kg/m lineare
Load traction - 120 Kg/linear m

Eventuale sbrinatorio vetri laterali - tramite diffusori aria P169 (vedi sez. 17C)
Possible defrosting for lateral windows - by P169 air diffusers (see sez. 17C)

Illuminazione - Lighting
Illuminazione diretta, alternata o continua, tramite strisce led composte da led bianchi (tonalità 6.500 K) e led blu per illuminazione notturna.
Direct lighting, alternated or continous, by led strips including white leds (tonality 6.500 K) and blue leds for night lighting.

Servizi applicabili - P412, P390, P160, P234, P235, P159 (vedi sez. 17G)
Applicable services - P412, P390, P160, P234, P235, P159 (see sez. 17G)

Peso - Weight
Sez. A1 6 Kg/m
Sez. B1 7,5 Kg/m

Resistenza alla trazione - 120 Kg/m lineare
Load traction - 120 Kg/linear m

Eventuale sbrinatorio vetri laterali - tramite diffusori aria P169 (vedi sez. 17C)
Possible defrosting for lateral windows - by P169 air diffusers (see sez. 17C)

Illuminazione - Lighting
Illuminazione diretta, alternata o continua, tramite strisce led composte da led bianchi (tonalità 6.500 K) e led blu per illuminazione notturna.
Direct lighting, alternated or continous, by led strips including white leds (tonality 6.500 K) and blue leds for night lighting.

Servizi applicabili - Applicable services
P412, P390, P160, P234, P235, P159 (vedi sez. 17G)
P412, P390, P160, P234, P235, P159 (see sez. 17G)

Possibilità di passaggio aria condizionata attraverso profilo mancorrente oppure profilo a tetto
Possibility to pass the air conditioning through the handrail profile or the roof profile

Tessuti disponibili - Available fabrics

Tipologia - Typology									
Microfibra Microfiber								SKY	PVC
Col. 502	Col. 545	Col. 506	Col. 541	Col. 519	Col. 572	Col. 540	Col. 578	Grigio chiaro Light grey	Grigio scuro Dark grey

P.1000 PLANET



Materiale - Material

Struttura in Alluminio, ABS, PA6 e policarbonato; accessori in bayblend + componenti elettrici ed elettronici
Frame in aluminium, ABS, PA6 and polycarbonate; accessories in bayblend + electric and electronic parts



Colore - Color

Vedi sezione tecnica - See technical section



Lotto minimo - Minimum lot

5 pezzi - pieces



Volume confezione - Package volume

Secondo componenti, vedi pag. L20
According to components, see pag. L20



Peso confezione - Package weight

Secondo componenti - According to components



Normative - Norms

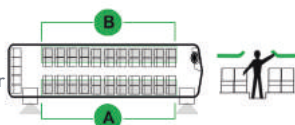
pag. L2



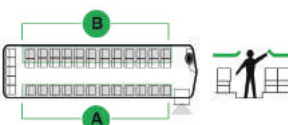
P.1000 PLANET

Cod.	Typo - Type	L (mm)			Striscia/Strip LED							
62389	1 porta ant e/o post front and/or back door	A) 4.782 B) 4.782	A) 6x2 seats B) 6x2 seats	A) 6 x 61601 P158 B) 8 x 61611 P158	10 x neon 24V/13W	Sec. X Sec. X	Int/Inner: SKY Est/Outer: BALTIC	90	•	•	•	
62511	1 porta ant e/o post front and/or back door	A) 6.090 B) 6.090	A) 7x2 seats B) 8x2 seats	A) 8 x 62329 P340 B) 7 x 62819 P340	10 x neon 24V/13W	Sec. Y Sec. Y	Int/Inner: SKY Est/Outer: BALTIC	90	•	•	•	
63029	1 porta ant e/o post front and/or back door	A) 3.995 B) 3.995	A) 6x2 seats B) 6x2 seats	A) 4 x 61601 P158 B) 8 x 61611 P158	8 x neon 24V/13W	Sec. X Sec. X	Int/Inner: SKY Est/Outer: BALTIC	74	•	•	•	
64281	1 porta ant e/o post front and/or back door	A) 4.300 B) 4.300	A) 5x2 seats B) 5x2 seats	A) 6 x 65659 P340 B) 4 x 65599 P340	6 x neon 12V/13W	Sec. X Sec. X	Int/Inner: SKY Est/Outer: TX 25	80	•	•	•	
63601	1 porta ant e/o post front and/or back door	A) 4.360 B) 4.880	A) 6x2 seats B) 7x2 seats	A) 1 x 61601 P158 B) 12 x 61611 P158	9 x neon 24V/13W	Sec. X Sec. X	Int/Inner: SKY Est/Outer: NO	85	•	•	•	
64709	1 porta ant e/o post front and/or back door	A) 3.695 B) 4.105	A) 5x2 seats B) 6x2 seats	A) 3 x 61601 P158 B) 8 x 61611 P158	9 x neon 24V/13W	Sec. X Sec. X	Int/Inner: SKY Est/Outer: NO	72	•	•	•	
67099	1 porta ant e/o post front and/or back door	A) 4.750 B) 4.750	A) 6x2 seats B) 7x2 seats	A) 5 x 61601 P158 B) 8 x 61611 P158	10 x neon 24V/13W	Sec. X Sec. X	Int/Inner: SKY Est/Outer: BALTIC	87	•	•	•	
66471	1 porta ant e/o post front and/or back door	A) 5.640 B) 6.520	A) 7x2 seats B) 7x2 seats	A) 6 x 62351 P158 B) 8 x 67407 P158	12 x neon 24V/13W	Sec. X Sec. X	Int/Inner: SKY Est/Outer: BALTIC	110	•	•	•	
61402	2 porta anteriore front door	A) 4.620 B) 5.020	A) 6x1 seats B) 6x2 seats	A) 6 x 60128 P160 B) 7 x 60128 P160 6 x 64859 P160	8 x L1 led 12V/7W 10 x L2 led 12V/7W	A) Sec. Z B) Sec. Y	Int/Inner: SKY Est/Outer: BALTIC	85	•	•		
62291	2 porta anteriore front door	A) 5.503 B) 6.333	A) 7x2 seats B) 7x1 seats	A) 6 x 62351 P158 B) 8 x 67407 P158	12 x neon 12V/13W	Sec. X Sec. X	Int/Inner: SKY Est/Outer: BALTIC	105	•	•	•	
63531	2 porta anteriore front door	A) 2.910 B) 3.780	A) 4x1 seats B) 5x2 seats	A) 9 x 60128 P160 B) 5 x 64859 P160	7 x neon 12V/13W	Sec. Z Sec. Z	Int/Inner: SKY Est/Outer: BALTIC	57	•	•	•	
63559	2 porta anteriore front door	A) 4.620 B) 5.020	A) 6x1 seats B) 6x2 seats	A) 9 x 60128 P160 B) 6 x 64859 P160	10 x neon 12V/13W	Sec. Z Sec. Y	Int/Inner: SKY Est/Outer: BALTIC	85	•	•	•	
66471	2 porta anteriore front door	A) 5.640 B) 6.520	A) 7x2 seats B) 7x2 seats	A) 6 x 62351 P158 B) 8 x 67407 P158	12 x neon 24V/13W	Sec. X Sec. X	Int/Inner: SKY Est/Outer: BALTIC	110	•	•	•	
63571	2 porta anteriore front door	A) 3.600 B) 4.490	A) 5x1 seats B) 6x2 seats	17 x 66929 P390	7 x neon 12V/13W	Sec. Z Sec. Y	Int/Inner: SKY Est/Outer: NO	72	•	•		
68439	2 porta anteriore front door	A) 4.385 B) 5.160	A) 6x2 seats B) 7x2 seats	A) 7 x 62329 P340 B) 6 x 62819 P340	8 x neon 24V/13W	Sec. Y Sec. Y	Int/Inner: SKY Est/Outer: BALTIC	87	•	•	•	
68499	2 porta anteriore front door	A) 4.385 B) 5.160	A) 6x2 seats B) 7x2 seats	A) 7 x 65599 P340 B) 6 x 65659 P340	8 x neon 24V/13W	Sec. Y Sec. Y	Int/Inner: SKY Est/Outer: BALTIC	87	•	•	•	
65132	2 porta anteriore front door	A) 5.640 B) 6.520	A) 7x2 seats B) 7x2 seats	A) 6 x 62351 P158 B) 8 x 67407 P158	13 x L1 led 12V/7W 11 x L2 led 12V/7W	Sec. X Sec. X	Int/Inner: SKY Est/Outer: BALTIC	110	•	•	•	
65002	2 porta anteriore front door	A) 5.503 B) 6.333	A) 7x2 seats B) 7x1 seats	A) 6 x 62351 P158 B) 8 x 67407 P158	10 x L1 led 12V/7W 10 x L2 led 12V/7W	Sec. X Sec. X	Int/Inner: SKY Est/Outer: BALTIC	105	•	•	•	
65802	2 porta anteriore front door	A) 5.740 B) 6.590	A) 7x2 seats B) 7x1 seats	A) 6 x 62351 P158 B) 8 x 67407 P158	12 x L1 led 12V/7W 10 x L2 led 12V/7W	Sec. X Sec. X	Int/Inner: SKY Est/Outer: BALTIC	110	•	•	•	
65092	2 porta anteriore front door	A) 5.740 B) 6.570	A) 7x2 seats B) 7x1 seats	A) 6 x 62351 P158 B) 8 x 67407 P158	12 x L1 led 12V/7W 10 x L2 led 12V/7W	Sec. X Sec. X	Int/Inner: SKY Est/Outer: BALTIC	110	•	•	•	
62342	2 porta anteriore front door	A) 5.503 B) 6.333	A) 7x2 seats B) 7x1 seats	A) 6 x 62351 P158 B) 8 x 67407 P158	12 x neon 24V/13W	Sec. X Sec. X	Int/Inner: SKY Est/Outer: BALTIC	110	•	•	•	
66019	3 porta centrale middle door	A) 3.112 B) 5.700 C) 1.884	A) 4x2 seats B) 7x2 seats C) 2x2 seats	8 x 62869 P158 5 x 62879 P158	10 x neon 24V/13W	Sec. X	Int/Inner: SKY Est/Outer: BALTIC	92	•	•	•	
68209	3 porta centrale middle door	A) 3.232 B) 7.260 C) 3.095	A) 4x2 seats B) 9x2 seats C) 4x2 seats	16 x 62329 P340 1 x 62819 P340	12 x neon 24V/13W	Sec. W	Int/Inner: SKY Est/Outer: BALTIC	125	•	•	•	

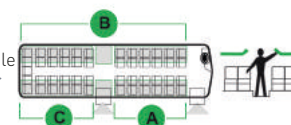
1 porta ant e/o post front and/or back door



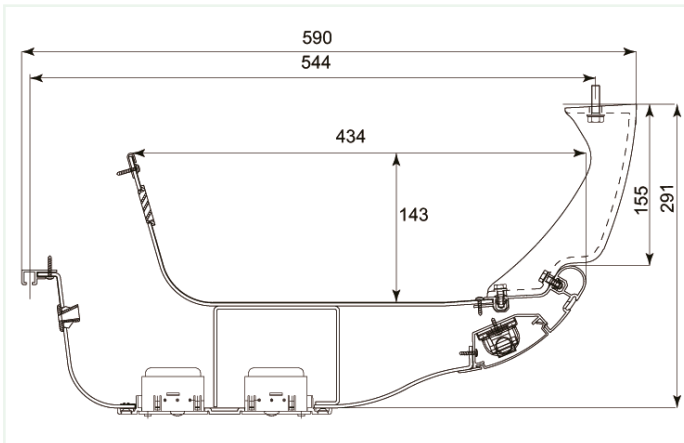
2 porta anteriore front door



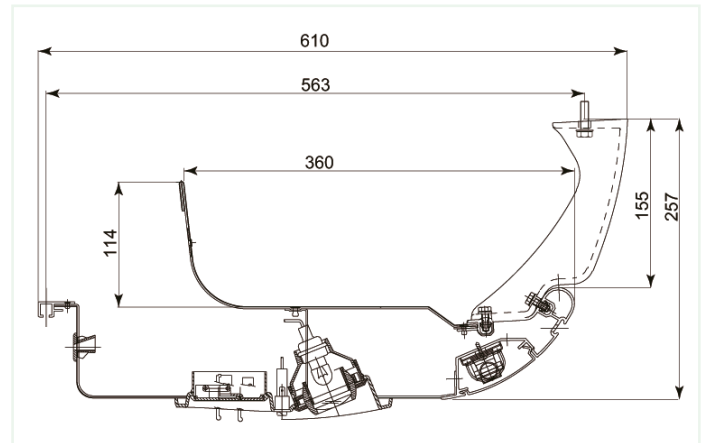
3 porta centrale middle door



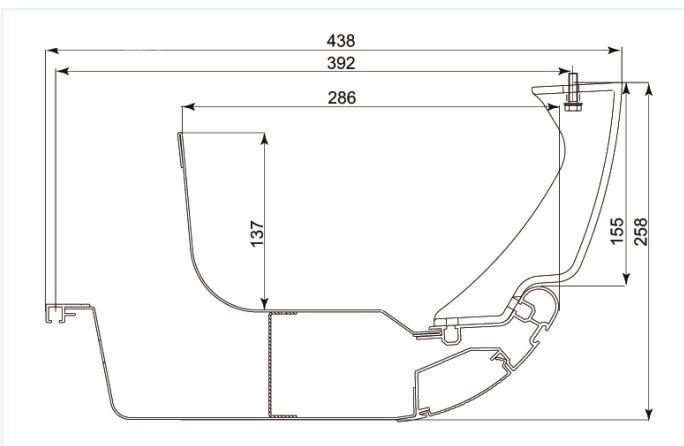
P.1000 PLANET



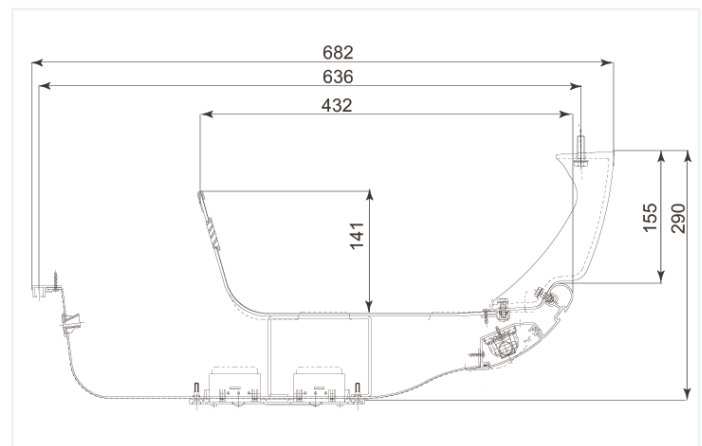
X Versione in ABS
ABS version



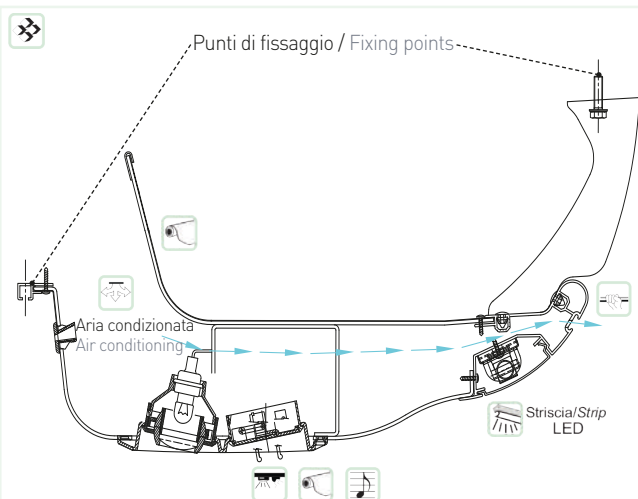
Y Versione in alluminio
Aluminium version



Z Versione in alluminio
Aluminium version



W Versione ABS/alluminio
ABS/aluminium version



Peso - 9 Kg/m lineare circa (tutte le sezioni)
Weight - 9 Kg/linear m about (all sections)

Resistenza alla trazione - 100 Kg/m lineare
Load traction - 100 Kg/linear m

Eventuale sbrinatorio vetri laterali - tramite diffusori aria P169 (vedi sez. 17C)
Possible defrosting for lateral windows - by P169 air diffusers (see sez. 17C)

Eventuale raffreddamento zona portabagagli - tramite diffusori aria P123 (vedi sez. 17C)
Possible cooling for luggage rack zone - by P123 air diffusers (see sez. 17C)

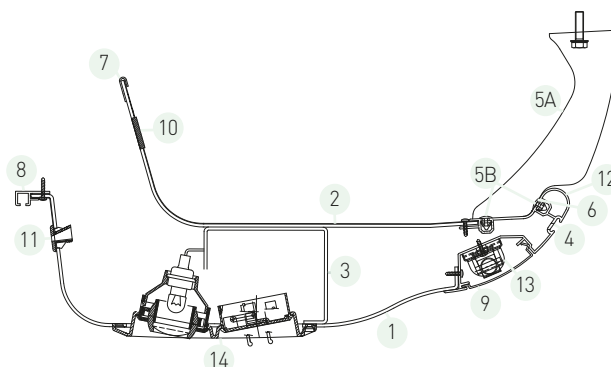
Illuminazione - Lighting
Illuminazione diretta, alternata o continua, tramite strisce led composte da led bianchi (tonalità 6.500 K) e led blu per illuminazione notturna.
Direct lighting, alternated or continuous, by led strips including white leds (tonality 6.500 K) and blue leds for night lighting.

Servizi applicabili - Applicable services
P412, P389, P340, P158, P148, P140, P78R, P390, P160, P234, P235, P159 (vedi sez. 17G)
- P412, P389, P340, P158, P148, P140, P78R, P390, P160, P234, P235, P159 (see sez. 17G)

Tessuti disponibili - Available fabrics

Tipologia - Typology									
Microfibra Microfiber								SKY	PVC
Col. 502	Col. 545	Col. 506	Col. 541	Col. 519	Col. 572	Col. 540	Col. 578	Grigio chiaro Light grey	Grigio scuro Dark grey

P.1000 PLANET



Versione CKD - CKD version

Foto/Picture	Cod. / Code	Descrizione / Description	Fornitura / Quantità
	A) 68039 B) 67131 C) ALU	ABS Canale inferiore non forato / Lower profile without holes ABS Canale inferiore non forato / Lower profile without holes Canale inferiore in alluminio non forato con dimensioni a richiesta Lower aluminium profile without holes and with dimensions on request	Profili da 5m/5m profiles Profili da 6m/6m profiles
	A) 69199 B) 67141 C) ALU	ABS Canale superiore non forato / Upper profile without holes ABS Canale superiore non forato / Upper profile without holes Canale superiore in alluminio non forato con dimensioni a richiesta Upper aluminium profile without holes and with dimensions on request	Profili da 5m/5m profiles Profili da 6m/6m profiles
	65289	ABS Distanziale intermedio / Spacing bar	10 pz da 10 cm/10 pcs of 10 cm
	A) 65571 B) 68991 C) 69311 D) 69321	Profilo mancorrente in alluminio. Verniciato a polvere colore tipo ARC 26 Electrocoloured aluminium handrail colour type ARC 26 Profilo mancorrente in alluminio. Verniciato a polvere colore tipo ARC 26 Electrocoloured aluminium handrail colour type ARC 26 Profilo mancorrente in alluminio. Verniciato a polvere colore tipo ARC 26 Electrocoloured aluminium handrail colour type ARC 26 Profilo mancorrente in alluminio. Verniciato a polvere colore tipo ARC 26 Electrocoloured aluminium handrail colour type ARC 26	Barre da 5.1m/5.1m bars Barre da 6.6m/6.6m bars Barre da 5.1m in conf. da 20 pz 5.1m bars packaging of 20 pcs Barre da 6.6m in conf. da 20 pz 6.6m bars packaging of 20 pcs
	A) 62529 B) 63551	Supporto mancorrente / Handrail support Kit fissaggio viti per supporto mancorrente Fixing screw kit for handrail support	Box 10 pz/10 pcs 200 pz/pcs
	65279	Profilo copricavo in PVC / PVC cable cover profile	Box 80m
	62091	Profilo di rinforzo (solo per versione in ABS) Reinforcing profile (only for ABS version)	Barre da 5m/5m bars
	65259	Profilo reggitenda in alluminio Electrocoloured aluminium curtainrail profile	Barre da 5m/5m bars
	A) 65299 B) 68981	Coprilampade in policarbonato / Polycarbonate light cover Coprilampade in policarbonato / Polycarbonate light cover	Barre da 5m/5m bars Barre da 6.6m/6.6m bars
	65582	Diffusore aria P123 grigio RAL 7012 / Air diffuser P123 grey RAL 7012	Box 50 pz/50 pcs
	64017	Diffusore sbrinatori P169 nero / Air defroster vent P169 black	Box 100 pz/100 pcs
	66189	Profilo coprimancorrente PVC nero / Handrail cover profile PVC black	500m

P.1000 PLANET

Foto/Picture	Cod. / Code	Descrizione / Description	Fornitura / Quantità
	A) 67152	Striscia led tipo A 12V 400mm / Led strip Type A 12V 400mm	Box 10 pz/10 pcs
	B) 67162	Striscia led tipo B 12V 400mm / Led strip Type B 12V 400mm	Box 10 pz/10 pcs
	C) 67172	Striscia led tipo A 24V 400mm / Led strip Type A 24V 400mm	Box 10 pz/10 pcs
	D) 67182	Striscia led tipo B 24V 400mm / Led strip Type B 24V 400mm	Box 10 pz/10 pcs
		Multiset a richiesta / Multiset on request Vedi Cat. 17G / See Cat. 17G	A richiesta/On request
		Minuteria per assemblaggio / Small parts for assembly	A richiesta/On request
	67629	Tessuto SKY grigio / Grey SKY fabric L/W = 1.400 mm	Al metro/Meters supply
	65452	Tessuto SKY grigio / Grey SKY fabric L/W = 700 mm	
	65319	Tessuto microfibra Baltic / Baltic microfiber fabric L/W = 1.600 mm	Al metro/Meters supply
	65462	Tessuto microfibra Baltic / Baltic microfiber fabric L/W = 800 mm	
	69289	Tessuto microfibra giallo / Yellow microfiber fabric TX37 L/W = 1.600 mm	
	65472	Tessuto microfibra giallo / Yellow microfiber fabric TX37 L/W = 800 mm	
	62101	Tessuto microfibra / Microfiber fabric bordeaux TX35 L/W = 1.600 mm	
	65482	Tessuto microfibra / Microfiber fabric bordeaux TX35 L/W = 800 mm	
	67479	Tessuto microfibra blu chiaro / Light blue microfiber fabric TX29 L/W = 1.600 mm	
	65542	Tessuto microfibra blu chiaro / Light blue microfiber fabric TX29 L/W = 800 mm	
	62111	Tessuto microfibra verde / Green microfiber fabric TX28 L/W = 1.600 mm	
	65552	Tessuto microfibra verde / Green microfiber fabric TX28 L/W = 800 mm	
	62201	Tessuto microfibra grigio / Grey microfiber fabric TX25 L/W = 1.600 mm	
	65592	Tessuto microfibra grigio / Grey microfiber fabric TX25 L/W = 800 mm	
	66411	Cablaggi per 6 multiset / Wirings for 6 multisets	1 pz / 1 pc

KIT CKD disponibili - Available CKD KIT

COD.	1	2	3	4	5	6	7	8	9	10	11	12	13	14	15	16	17	18
63782	2 x 1B	2 x 2B	18 pcs	2 x 4B	12 pcs + viti/screws	24m	12.5m	12.5m	2 x 9B	/	18 pcs	/	/	4 x P158 cod. 67407 10 x P158 cod. 62351	/	/	/	/

P.1350 VENUS



Materiale - Material

Struttura in Alluminio, ABS, PA6 e policarbonato; accessori in bayblend + componenti elettrici ed elettronici
Frame in aluminium, ABS, PA6 and polycarbonate; accessories in bayblend + electric and electronic parts



Colore - Color

Vedi sezione tecnica - See technical section



Lotto minimo - Minimum lot

4 pezzi - pieces



Volume confezione - Package volume

Secondo componenti, vedi pag. L20
According to components, see pag. L20



Peso confezione - Package weight

Secondo componenti - According to components



Normative - Norms

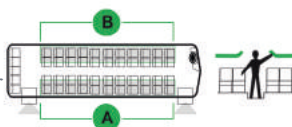
pag. L2



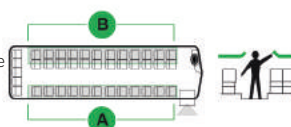
P.1350 VENUS

Cod.	Tipo - Type	L (mm)			Striscia/Strip LED							
69481	2 porta anteriore front door	A) 5.503 B) 6.333	A) 7x2 seats B) 7x1 seats	14 x 60051 P236 14 x 65361 P399 9 x 60051 P236 9 x 65361 P399	Led strips 12V	Sec. B1	Int/Inner: SKY Est/Outer: BALTIC	105	•	•	•	
60322	2 porta anteriore front door	A) 4.750 B) 4.750	A) 6x2 seats B) 7x2 seats	12 x 69501 P410 12 x 69521 P411 14 x 69501 P410 14 x 69521 P411	Led strips 12V	Sec. B1	Int/Inner: SKY Est/Outer: BALTIC	105	•	•	•	
60462	2 porta anteriore front door	A) 4.700 B) 4.700	A) 6x2 seats B) 6x2 seats	6 x 69501 P410 6 x 69521 P411 12 x 69501 P410 12 x 69521 P411	Led strips 12V	Sec. A1	Int/Inner: SKY Est/Outer: TX29	85	•	•	•	
66352	3 porta centrale middle door	A) 4.829 B) 9.290 C) 3.537	A) 6x2 seats B) 12x2 seats C) 5x2 seats	12 x 68412 P410 12 x 69531 P411 24 x 68412 P410 24 x 69531 P411 10 x 68412 P410 10 x 69531 P411 8 x 68412 P410	Led strips 24V	Sec. B1	Int/Inner: SKY Est/Outer: BALTIC	200	•	•	•	
66522	3 porta centrale middle door	A) 2.829 B) 7.290 C) 3.537	A) 4x2 seats B) 10x2 seats C) 5x2 seats	8 x 69531 P411 20 x 68412 P410 20 x 69531 P411 10 x 68412 P410 10 x 69531 P411 8 x 68412 P410	Led strips 24V	Sec. B1	Int/Inner: SKY Est/Outer: BALTIC	160	•	•	•	
66572	3 porta centrale middle door	A) 2.829 B) 7.290 C) 3.537	A) 4x2 seats B) 10x2 seats C) 4x2 seats	8 x 69531 P411 20 x 68412 P410 20 x 69531 P411 8 x 68412 P410 8 x 69531 P411	Led strips 24V	Sec. B1	Int/Inner: SKY Est/Outer: BALTIC	160	•	•	•	
63533	3 porta centrale middle door	A) 4.300 B) 10.480 C) 5.220	A) 6x2 seats B) 13x2 seats C) 5x2 seats	48 x 61223 P412	Led strips 24V	Sec. B1	Int/Inner: SKY Est/Outer: PVC dark grey	200	•	•	•	

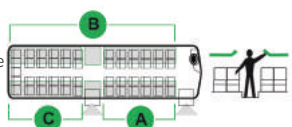
1 porta ant e/o post front and/or back door



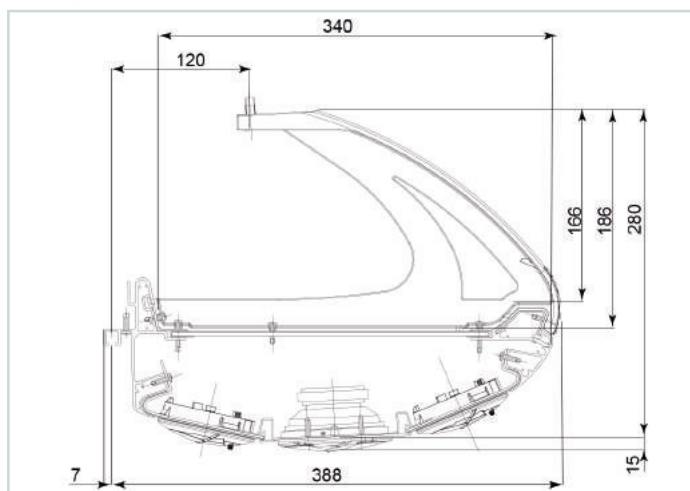
2 porta anteriore front door



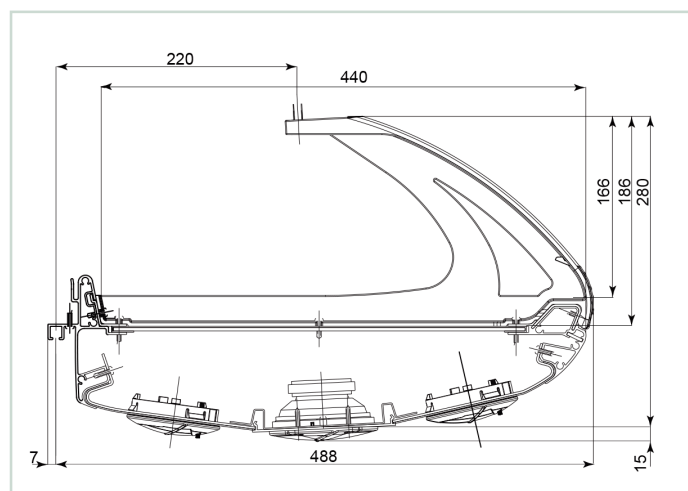
3 porta centrale middle door



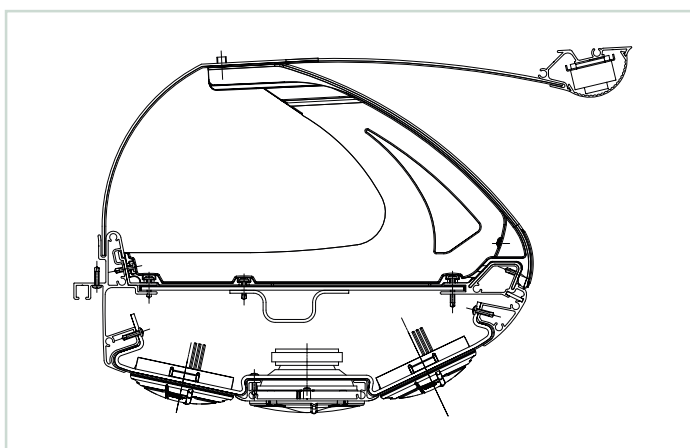
P.1350 VENUS



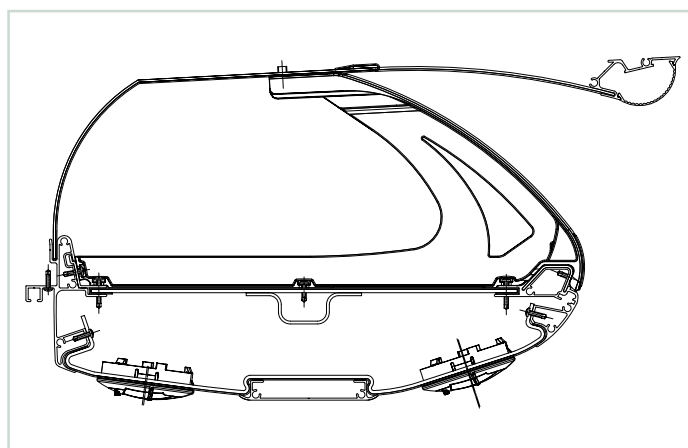
A



B



A1



B1

Punti di fissaggio - Fixing points

Aria condizionata - Air conditioning

Striscia/Strip LED

Peso - Weight
 Sez. A 7,5 Kg/m
 Sez. B 8,5 Kg/m

Resistenza alla trazione - 100 Kg/m lineare
 Load traction - 100 Kg/linear m

Eventuale sbrinamento vetri laterali - tramite diffusori aria P169 (vedi sez. 17C)
 Possible defrosting for lateral windows - by P169 air diffusers (see sez. 17C)



Illuminazione - Lighting
 Illuminazione diretta, alternata o continua, tramite strisce led composte da led bianchi (tonalità 6.500 K) e led blu per illuminazione notturna.
 Direct lighting, alternated or continuous, by led strips including white leds (tonality 6.500 K) and blue leds for night lighting.

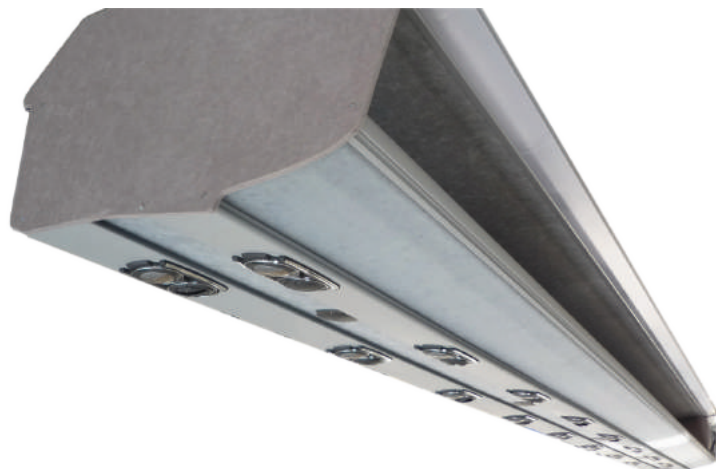
Servizi applicabili - Applicable services
 P412, P390, P160, P234, P235, P159 (vedi sez. 17G) - P412, P390, P160, P234, P235, P159 (see sez. 17G)

Tessuti disponibili - Available fabrics








Tipologia - Typology									
Microfibra Microfiber								SKY	PVC
Col. 502	Col. 545	Col. 506	Col. 541	Col. 519	Col. 572	Col. 540	Col. 578	Grigio chiaro Light grey	Grigio scuro Dark grey

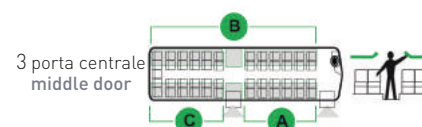
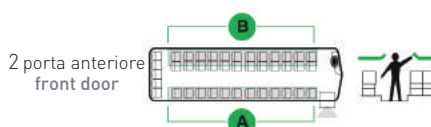
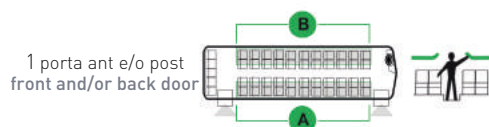
P.1400 EasyRACK

-  **Materiale - Material**
Struttura in Alluminio, ABS, PA6 e policarbonato; accessori in bayblend + componenti elettrici ed elettronici
Frame in aluminium, ABS, PA6 and polycarbonate; accessories in bayblend + electric and electronic parts
-  **Colore - Color**
Vedi sezione tecnica - See technical section
-  **Lotto minimo - Minimum lot**
4 pezzi - pieces
-  **Volume confezione - Package volume**
Secondo componenti, vedi pag. L20
According to components, see pag. L20
-  **Peso confezione - Package weight**
Secondo componenti - According to components
-  **LEX**
pag. L2

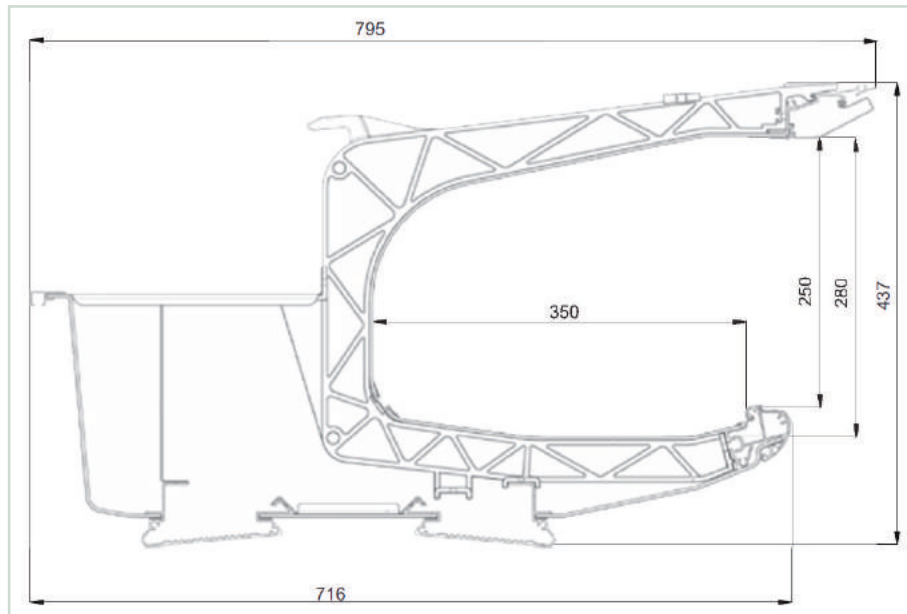


P.1400 EasyRACK

Cod.	Tipo - Type	L (mm)			 Striscia/Strip LED				
63562	1 porta anteriore e/o posteriore front and/or back door	A) 6.900 B) 6.900	A) 7x2 seats B) 8x2 seats	6 x 61892 P412 7 x 61902 P412 17 x 62152 P412	14 x neon 24V/13W	ABS	Int/Inner: SKY Est/Outer: TX29	150	• • •



P.1400 EasyRACK



Punti di fissaggio / Fixing points

Aria condizionata / Air conditioning

Striscia/Strip LED

Peso - 13 Kg/m circa / Weight - 13 Kg/m about

Resistenza alla trazione - 150 Kg/m lineare / Load traction - 150 Kg/linear m

Eventuale sbrinamento vetri laterali - tramite diffusori aria P169 (vedi sez. 17C) / Possible defrosting for lateral windows - by P169 air diffusers (see sez. 17C)

Illuminazione - Lighting
 Illuminazione diretta, alternata o continua, tramite strisce led composte da led bianchi (tonalità 6.500 K) e led blu per illuminazione notturna.
 Direct lighting, alternated or continous, by led strips including white leds (tonality 6.500 K) and blue leds for night lighting.

Servizi applicabili - Applicable services
 P412, P390, P160, P234, P235, P159 (vedi sez. 17G)
 P412, P390, P160, P234, P235, P159 (see sez. 17G)

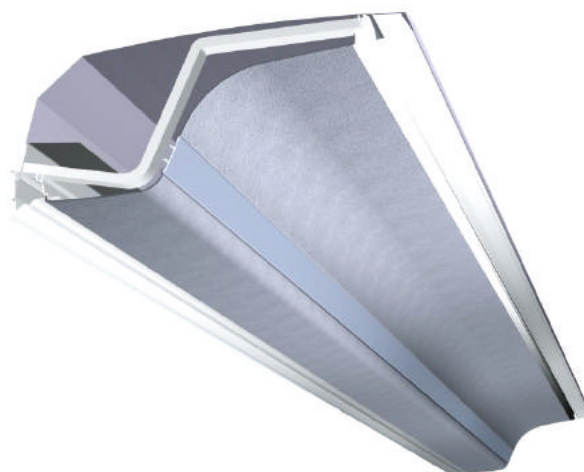
Tessuti disponibili - Available fabrics

Tipologia - Typology									
Microfibra / Microfiber								SKY	PVC
Col. 502	Col. 545	Col. 506	Col. 541	Col. 519	Col. 572	Col. 540	Col. 578	Grigio chiaro / Light grey	Grigio scuro / Dark grey

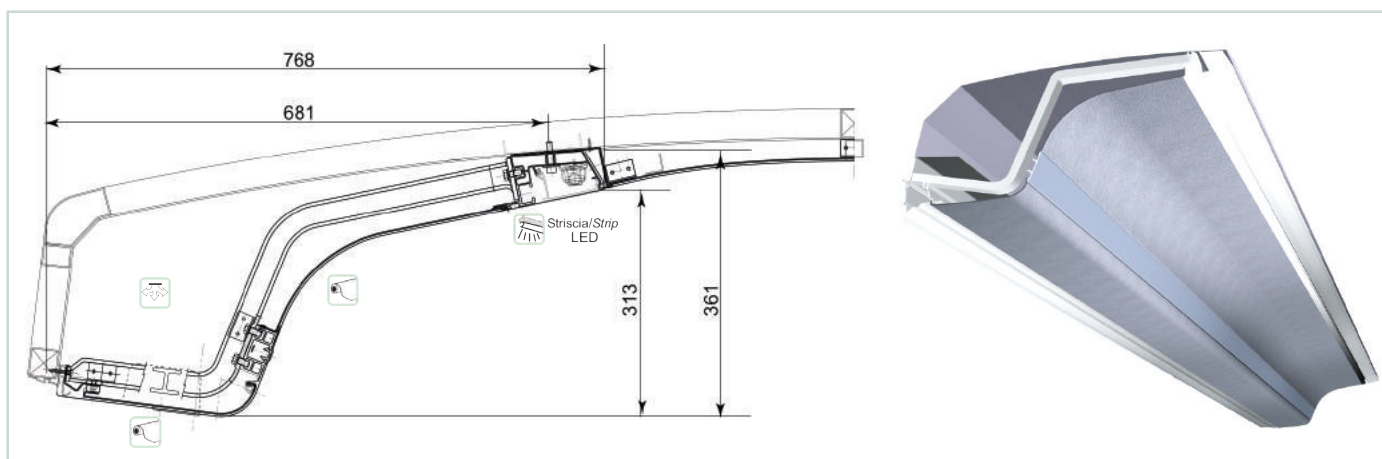
Cappelliere per bus urbani Luggage racks for citybus

P.1150 MOON

- Materiale - Material**
Struttura in Alluminio, ABS, PA6 e policarbonato
Frame in aluminium, ABS, PA6 and polycarbonate
- Colore - Color**
RAL 7035
- Lotto minimo - Minimum lot**
5 pezzi - pieces
- Volume confezione - Package volume**
Secondo componenti, vedi pag. L20
According to components, see pag. L20
- Peso confezione - Package weight**
Secondo componenti - According to components
- Normative - Norms**
pag. L2



P.1150 MOON

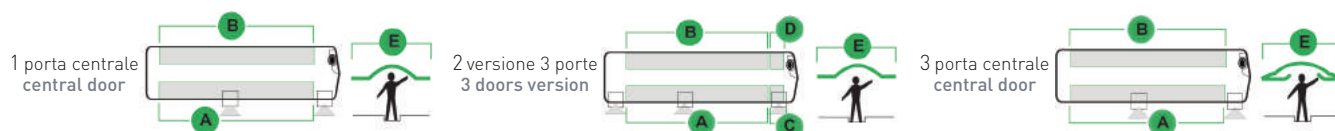


Cod.	Tipo - Type	L (mm)	W (mm)		Striscia/Strip LED				
60561	1 porta centrale central door	A) 6.988 B) 6.994	E) 2.100	NA	12 x neon 24V/13W	ALU	Verniciato / Painted RAL 7035	53	•
67679	1 porta centrale central door	A) 9.475 B) 7.916	E) 2.226	NA	11 x neon 24V/13W	ALU	Verniciato / Painted RAL 7035	65	•
67979	1 porta centrale central door	A) 8.600 B) 8.600	E) 2.206	NA	14 x neon 24V/13W	ALU	Verniciato / Painted RAL 7035	65	•
67689	1 porta centrale central door	A) 10.095 B) 10.095	E) 2.206	NA	14 x neon 24V/13W	ALU	Verniciato / Painted RAL 7035	75	•
66779	2 versione 3 porte 3 doors version	A) 8.659 B) 8.659 C) - D) 1.370	E) 2.326	NA	18 x neon 24V/13W	ALU	Verniciato / Painted RAL 7035	75	•
68119	2 versione 3 porte 3 doors version	A) 8.659 B) 8.659 C) - D) 1.380	E) 2.326	NA	18 x neon 24V/13W	ALU	Verniciato / Painted RAL 7035	75	•

NA = non applicabile / not applicable







● Ripiano portabagagli interrotto nella zona della porta centrale / The rack is interrupted above the central door

Considerata l'estrema facilità di montaggio, la cappelliera MOON viene fornita esclusivamente nella versione CKD, in modo da consentire la massima flessibilità produttiva
Because of the very easy assembling, MOON rack is supplied only in the CKD version, in order to maximize the production flexibility



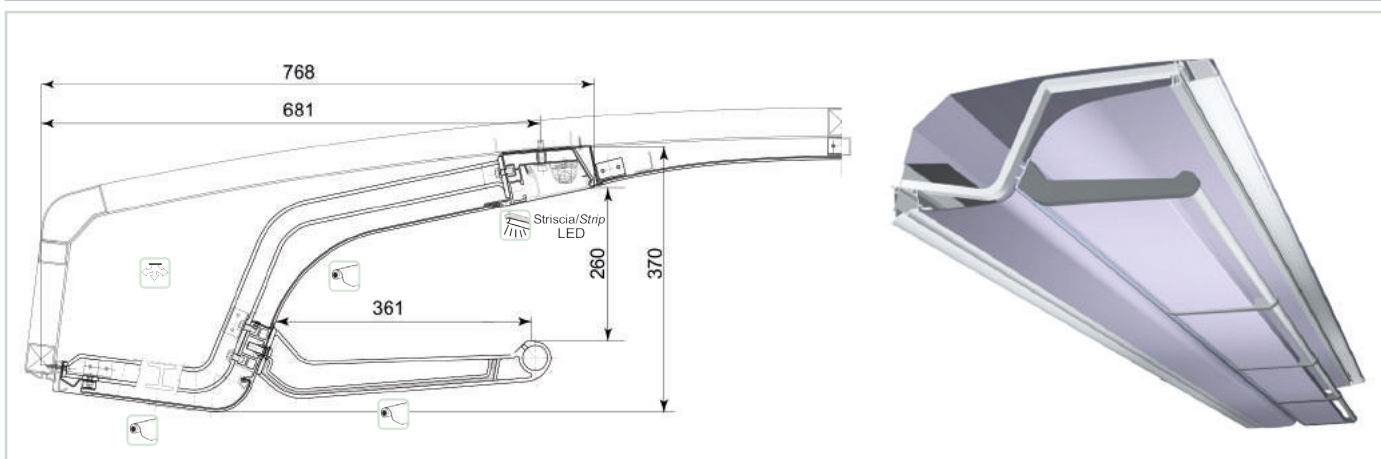
Cappelliere per bus intercity Luggage racks for intercity buses



P.1150 MOON INTERCITY

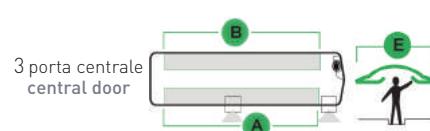
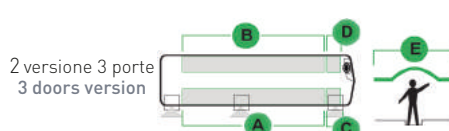
-  **Materiale - Material**
Struttura in Alluminio, ABS, PA6 e policarbonato
Frame in aluminium, ABS, PA6 and polycarbonate
-  **Colore - Color**
RAL 7035
-  **Lotto minimo - Minimum lot**
5 pezzi - pieces
-  **Volume confezione - Package volume**
Secondo componenti, vedi pag. L20
According to components, see pag. L20
-  **Peso confezione - Package weight**
Secondo componenti - According to components
-  **Normative - Norms**
pag. L2



P.1150 MOON INTERCITY



Cod.	Tipo - Type	L (mm)	W (mm)		 Striscia/Strip LED			
68299	1 porta centrale central door	A) 9.444 ● B) 9.444	E) 2.206	NA	16 x neon 24V/13W	ALU	Verniciato / Painted RAL 7035	150 ●



Cappelliere per minibus Luggage racks for minibuses

P.1150 MOON MINI



Materiale - Material

Struttura in Alluminio, ABS, PA6 e policarbonato
Frame in aluminium, ABS, PA6 and polycarbonate



Colore - Color

RAL 7035



Lotto minimo - Minimum lot

10 pezzi - pieces



Volume confezione - Package volume

Secondo componenti, vedi pag. L20
According to components, see pag. L20



Peso confezione - Package weight

Secondo componenti - According to components

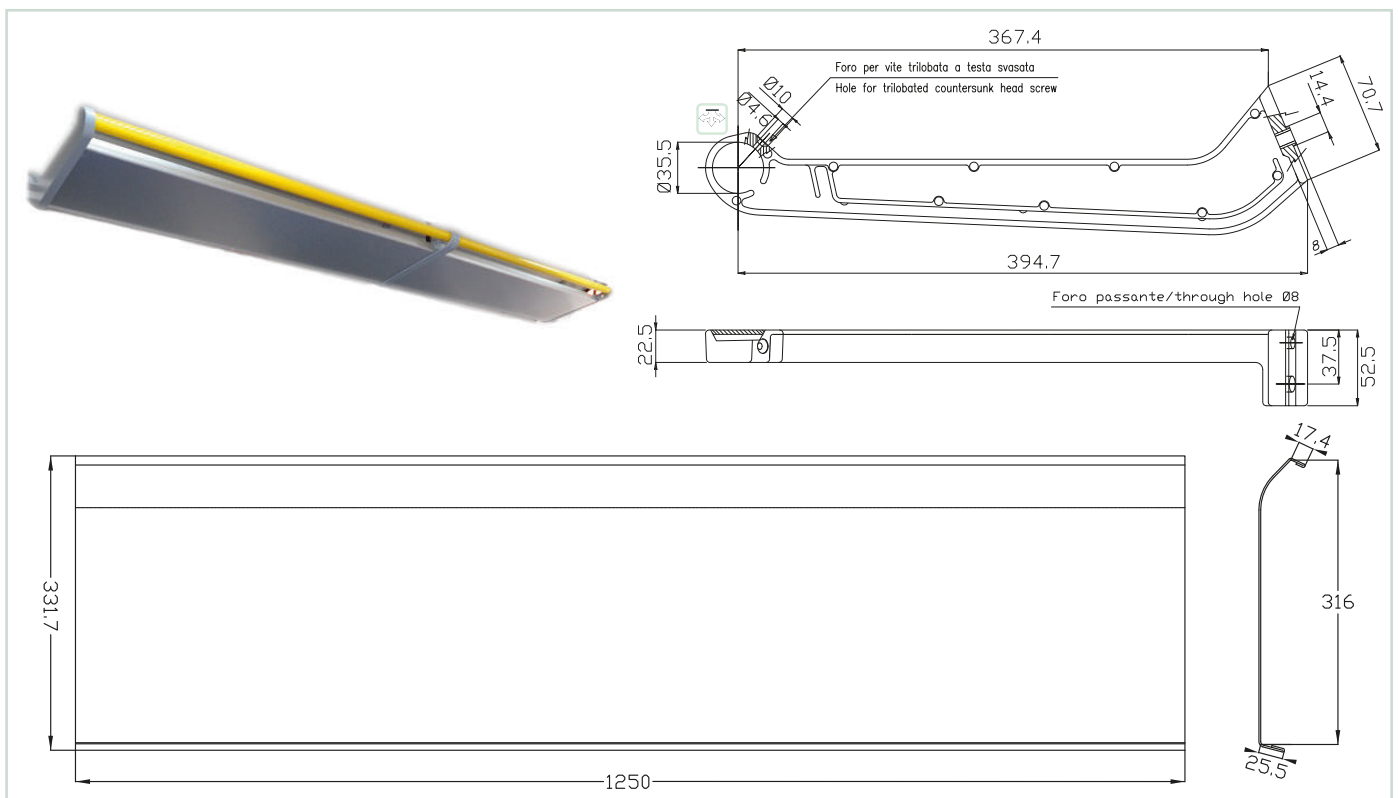


Normative - Norms

pag. L2



P.1150 MOON MINI



Cod.	Tipo - Type	L (mm)	W (mm)		Striscia/Strip LED				
65731	NA	1.250	412	NA	NA	ALU	NA	15	•

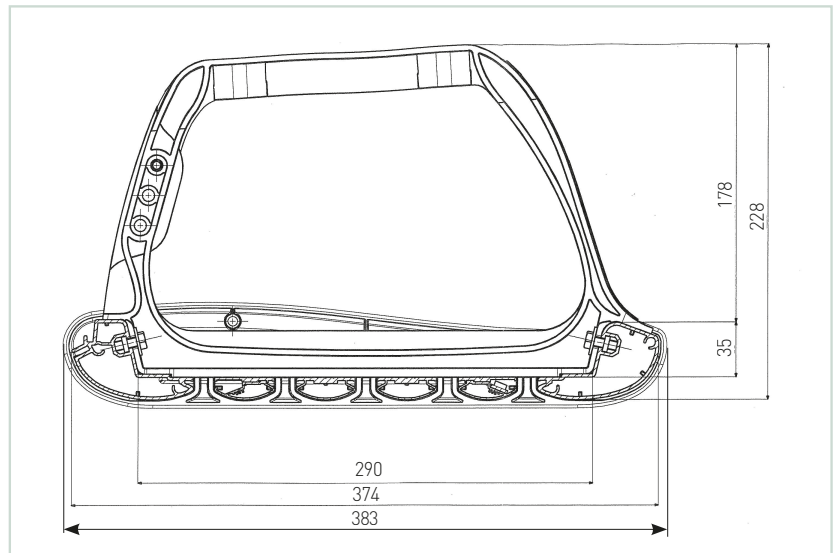
Ricambi e accessori - Spare parts and accessories

Foto/Picture	Cod. / Code	Descrizione / Description			Fornitura / Quantità
	63432	Supporto dx / Rh support	6 Kg	24	Box 10 pz/10 pcs
	63442	Supporto sx / Lh support			
	65322	Ripiano portabagagli ALU 1.250 mm Luggage rack profile ALU 1.250 mm	45 Kg	360	20 pz/pcs




Cappelliere per bus urbani e intercity Luggage racks for citybus and intercity

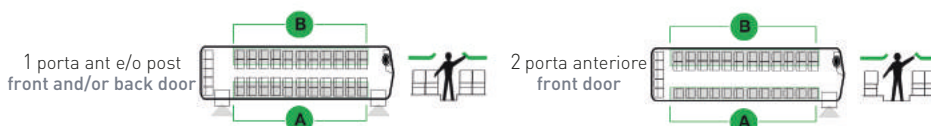
P.1450 BASIC

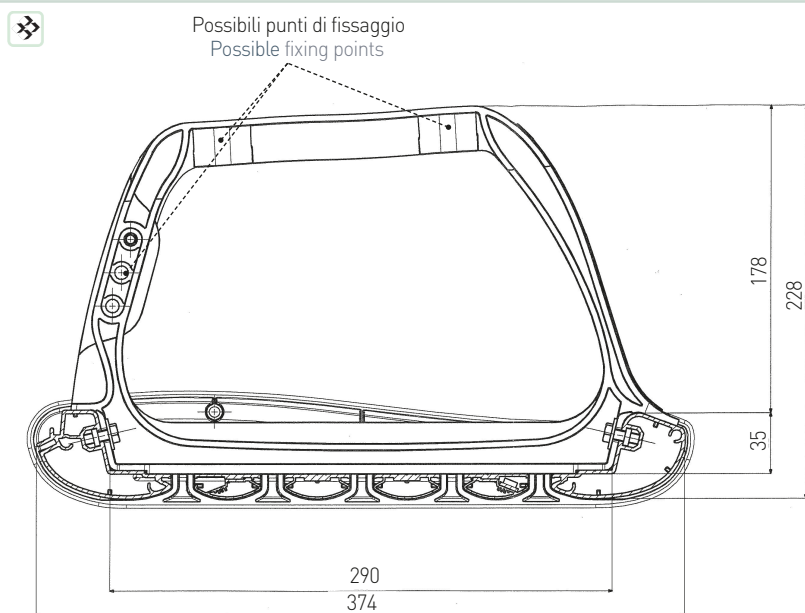
-  **Materiale - Material**
Struttura in Alluminio, poliammide fibra vetro
Aluminium frame, glass fibre polyamide
-  **Colore - Color**
NCS S 5020-Y20R or NCS S 7005-Y20R
-  **Lotto minimo - Minimum lot**
5 pezzi - pieces
-  **Volume confezione - Package volume**
Secondo componenti, vedi pag. L20
According to components, see pag. L20
-  **Peso confezione - Package weight**
Secondo componenti - According to components
-  **LEX**
pag. L2



P.1450 BASIC

Cod.	Tipo - Type	L (mm)			 Striscia/Strip LED
63673	2 porta anteriore front door	A) 4.000 B) 5.000	A) 5x2 seats B) 5x1 seats	75 Kg	
63683	1 porta ant e/o post front and/or back door	A) 5.000 B) 6.000	A) 5x2 seats B) 6x2 seats	85 Kg	Led strip 24V Led strip 24V





 Peso - 6,5 Kg/m circa
Weight - 6,5 Kg/m about

Resistenza alla trazione - 100 Kg/m lineare
Load traction - 100 Kg/linear m

E' possibile fissare la cappelliera in maniera tradizionale (lato finestrino bus) oppure sospesa in maniera autonoma sul tetto
It's possible to fix the luggage rack in the traditional way (window side on the bus) or suspended independently on the roof

Tutte le staffe di supporto possono essere posizionate liberamente in senso longitudinale
All the brackets for support can be placed freely along the longitudinal direction

Possibilità di avere il mancorrente conformato in modo da poter accogliere l'illuminazione di tipo indiretta tramite strisce led 12/24V
Possibility to have the handrail profile conformed in order to include the indirect lighting by led strips 12/24V

Imballo con pluriball - Packaging by pluriball

Semplice imballo eseguito con pluriball avvolto attorno ad ogni spezzone di cappelliera, che dovrà essere movimentato, caricato e scaricato manualmente dal camion, tenendo conto delle dimensioni d'ingombro e degli eventuali trasbordi.

Simple packaging realized by pluriball wrapped around every rack piece, that shall be moved, loaded and unloaded manually from the truck, taking care the overall dimensions and the possible trasboarding.



Imballo semplice, economico ma soggetto a possibili urti durante la movimentazione della merce.

Simple, economic packaging but subject to possible shocks during the moving of the goods.



Imballo con cassa in legno - Packaging by wooden box

Gli spezzi della cappelliera, avvolti in pluriball, vengono posizionati all'interno di una cassa in legno, da dimensionarsi in base alle dimensioni della cappelliera. La cassa potrà essere movimentata con carrello elevatore.

The rack pieces, wrapped in pluriball, are placed inside a wooden box, to be dimensioned depending on the dimensions of the rack. The box could be moved by a fork lift.



Imballo ben protetto e adatto per trasporti a lungo raggio; ogni cassa include solo un set di cappelliera.

Packaging protected and suitable for long-range transports; every wooden box includes only one set of luggage rack.



Imballo su rack in legno/metallo - Packaging on wooden/metal rack

Gli spezzi della cappelliera vengono posizionati all'interno di scatole in cartone, le quali sono impilate su una struttura in legno e metallo, richiudibile tramite cerniere. Tale struttura può essere movimentata tramite carrello elevatore; una volta tolti i cartoni, essa può essere spedita indietro in PRIMA, in modo da poterla riutilizzare per altre spedizioni.

La struttura può accogliere fino a un max di 4 set di cappelliera e, in dipendenza delle sue condizioni d'uso, può essere riutilizzata dalle 20 alle 30 volte prima di doverla rottamare.

The rack pieces are placed inside carton boxes, which are stacked on a wooden and metal structure, that can be closed by hinges. This structure can be moved by fork lift; once the cartons are putted off this one could be shipped back to PRIMA, in order to be re-used for other shipments.

The structure can receive until 4 rack sets max and, depending on its conditions of using, it can be re-used from 20 to 30 times before to be scrapped.



Imballo multiplo e ben protetto, riutilizzabile più volte; richiede investimento economico iniziale, che però viene ammortizzato nel tempo.

Multiple and protected packaging, reusable for more times; it requires an initial economic investment, that on the other hand is amortized during the time.



