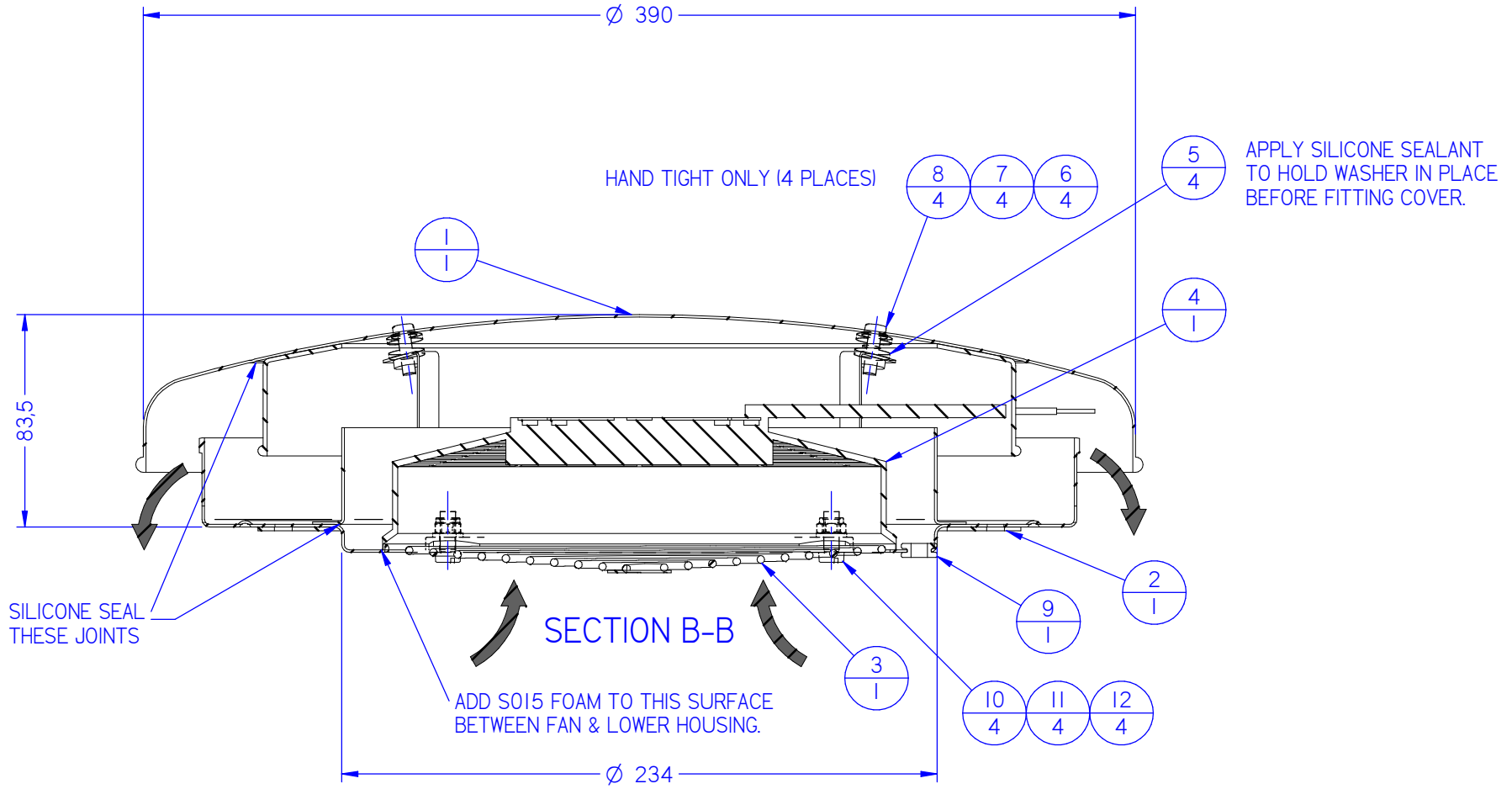
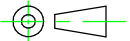


Drg. No.
PVH4155/24V

Used On



3RD ANGLE PROJECTION  DO NOT SCALE

Tolerances Linear Unless Stated
±1.0 GEN ±0.25 CRS

Tolerances Angular Unless Stated
±0.5° GEN

Material

Finish

This drawing relates to a design right which is the property of Gallay Ltd. It must not be copied and / or used for tendering or manufacturing purposes without the written permission of Gallay Ltd.

Specifications

Drawn
J.G

Date
25.01.18

Dims in
MM

Scale
N.T.S



Title
ROOF VENTILATOR

Paterson Road
Wellingborough
Northants NN8 4BZ
Tel 01933 224801
Fax 01933 279902

Project No.
Drg. No.
PVH4155/24V
SHEET 1 OF 3

Issue	Description	Date	Sign
1	CHANGE NOTE 8824	25.01.18	J.G.